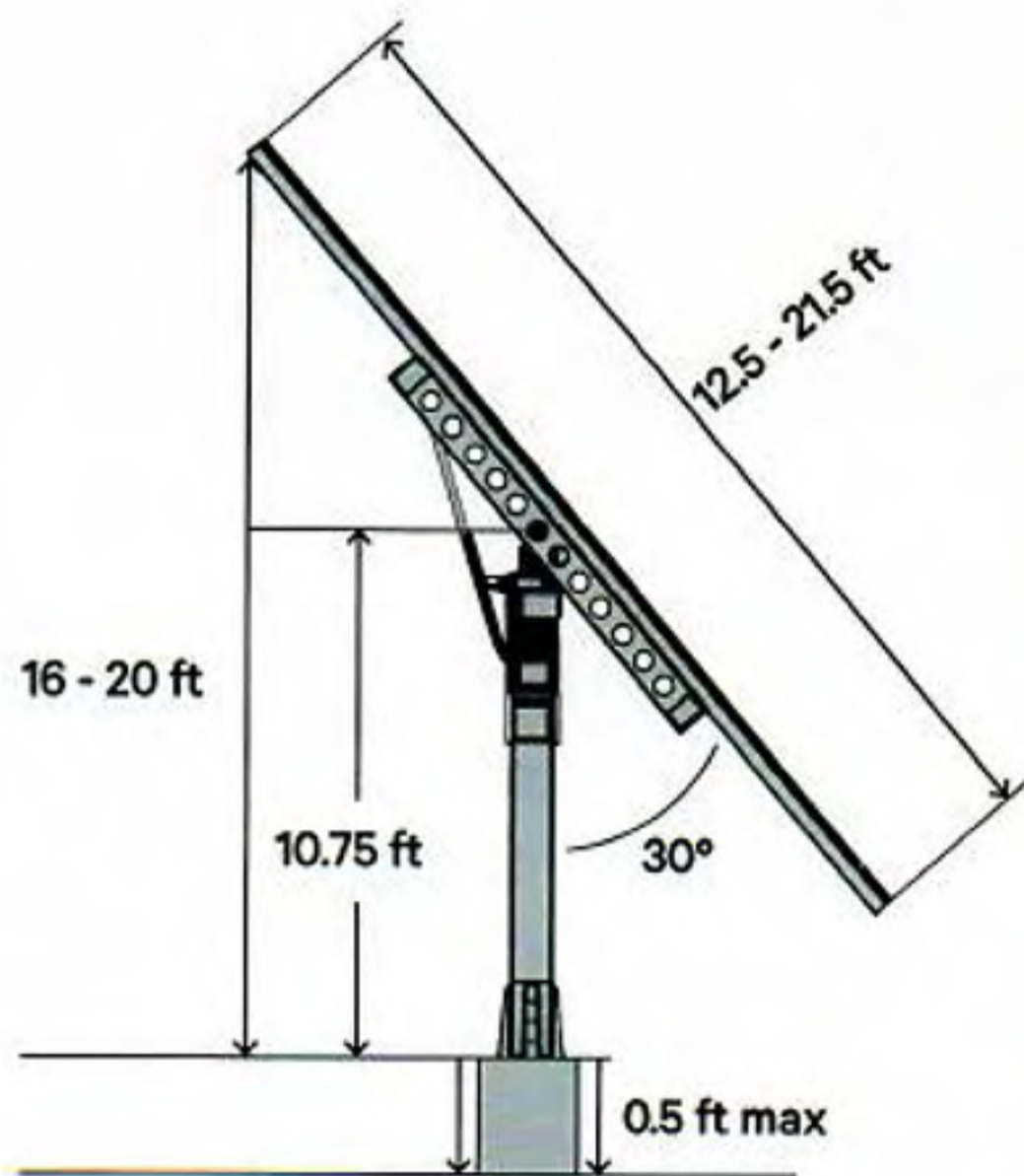


Rotation of a single tracker from morning (left) until noon (right)

S20/S24 technical specifications



AllEarth dual-axis solar tracker comparison		
	Series 20	Series 24
Number of modules	20	24
Module area	352 ft ²	423 ft ²
Maximum height	18 ft	20 ft*
Height when flat	11 ft	11 ft
Width	21.5 ft	21.5 ft*
Weight (complete system)	2,900 lb	3,100 lb
Minimum clear diameter	27 ft	27 ft
Module configuration	4 x 5 landscape	4 x 6 portrait

*Depends upon module dimensions

Unique Features

The AllEarth Solar Tracker is a complete grid-tied, dual-axis solar electric system suitable for both commercial and residential settings. Unlike a rooftop system, the tracker does not require a load-supporting, south-facing roof, which eliminates the risk of roof leak, mold or structural damage. Because the tracker uses GPS technology to follow the sun throughout the day, it also produces up to 45% more energy than fixed systems.

Inverter	Compatible with both string and microinverters
Wind loading	Wind-tunnel tested, stamped to ASCE 7-10 120 mph
Modules supported	Most commercially available 60 cell modules
Structure/materials	Freestanding, mast mounted, galvanized steel components
Motor type	180 watt hydraulic power unit
Yaw drive (azimuth)	Ring/worm gear with hydraulic motor
Tilt (elevation)	Hydraulic cylinder
Yaw range E/W	0 to 360°
Tilt range N/S	0 to 60°
Solar tracking method	GPS, sun calculation based, microprocessor controller
Wind protection	3-cup anemometer sensor, automatic algorithm, stows flat at 30mph

Annual power consumption	<1% of system output
Connection type	Grid-tied only
Communication	Integrated RF radio
Foundation types	Precast concrete, steel riser, helical pile
Nighttime stow	Stows flat at sunset
Module attachment	Innovative high-speed bottom-mount clamping technology; fast and safe; no gaps between modules
Warranty	10 years
Manufacturing location	USA



AllEarth Solar is a division of AllEarth Renewables
 AllEarth Renewables | allearthrenewables.com
 94 Harvest Lane | Williston, VT 05495

ALLEARTH and the ALLEARTH SOLAR logo are trademarks of AllEarth Renewables, Inc.
 © 2016 AllEarth Renewables, Inc. All Rights Reserved.